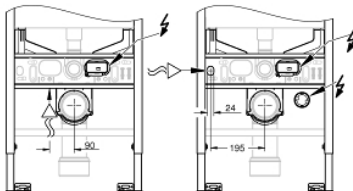
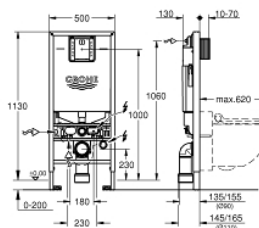


## 39 596 000 RAPID SLX ELEMENT FOR WC, 1.13 M INSTALLATION HEIGHT WITH INTEGRATED SOCKET AND SHOWER TOILET CONNECTION



### TOOTE KIRJELDUS (1/2)

- flushing cistern GDX, 6 l
- with integrated power socket
- ready for shower toilets (water)
- small revision shaft for small flush plates
- for on-the-wall installations or studed walls
- powder coated steel frame, self-supporting
- for dry-cladding, completely pre-assembled
- with fixed connections
- quick adjustment, lockable
- fixing material
- TÜV approved
- 2 WC fixing bolts
- fixing device for ceramic
- distance of fixing bolts 180/230 mm
- outlet bend Ø 90 mm
- depth adjustable
- reducer Ø 90/110 mm
- inlet and outlet connecting set
- flushing cistern GDX, 6 l, containing following features:
  - adjustment ex factory 6 l and 3 l
  - pneumatic discharge valve offering 3 modes of operation: dual flush or start/stop or single flush
- water supply from right, back or top
- low noise (group I acc. to German Noise Specification)
- fully insulated against condensation
- 1/2" water supply connection including integrated angle valve and push fit flexible hose union
- no tools required for the installation of the inspection shaft incl. protection during construction phase
- for vertical use
- including flow manager
- reduces flow of the flush
- prevents overspill in rimless toilets

Pure Freude  
an Wasser

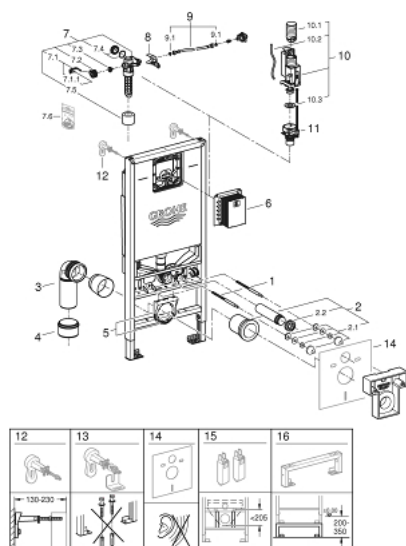


## 39 596 000 **RAPID SLX ELEMENT FOR WC, 1.13 M INSTALLATION HEIGHT WITH INTEGRATED SOCKET AND SHOWER TOILET CONNECTION**

### **TOOTE KIRJELDUS** (2/2)

- easy flow regulation via inspection shaft without removing the valves
- for on-the-wall installation please order wall brackets 38 558 00M (sold separately)
- for mounting of flush plates 156 x 197 mm please order revision shaft 66 791 000 (sold separately)

## 39 596 000 RAPID SLX ELEMENT FOR WC, 1.13 M INSTALLATION HEIGHT WITH INTEGRATED SOCKET AND SHOWER TOILET CONNECTION



### VARUOSAD, jaanuar 2020 – nüüd

- 1: Threaded bolt (Tellimuse number 4276400M)
- 2: WC inlet and outlet connecting set (Tellimuse number 37311K00)
- 2.1: Basin fastening (Tellimuse number 43511SH0)
- 2.2: Connector (Tellimuse number 37119000)
- 3: PP-outlet bend  $\varnothing$  90 mm (Tellimuse number 42327000)
- 4: Reducer (Tellimuse number 42242000)
- 5: Support for outlet bend (Tellimuse number 42243000)
- 6: Revision shaft for small flush plates (Tellimuse number 40911000)
- 7: Filling valve (Tellimuse number 42583000)
- 7.1: Lever (Tellimuse number 43734000)
- 7.1.1: Seal (Tellimuse number 4377000M)
- 7.2: Valve head (Tellimuse number 43536000)
- 7.3: Membrane (Tellimuse number 4375800M)
- 7.4: Screw cap (Tellimuse number 43735000)
- 7.5: Valve float, 5 pcs. (Tellimuse number 4379100M)
- 7.6: Set of seals (Tellimuse number 43722000)\*
- 8: Support device (Tellimuse number 42246000)
- 9: Tube (Tellimuse number 42233000)
- 9.1: Sealing washer (Tellimuse number 0319100M)
- 10: Dual Flush discharge valve AV1 (Tellimuse number 42320000)
- 10.1: Extension for overflow pipe (Tellimuse number 42313000)
- 10.2: Pneumatic hose (Tellimuse number 42319000)
- 10.3: Seal (Tellimuse number 42310000)
- 11: Valve seat (Tellimuse number 42593000)
- 12: Wall brackets (Tellimuse number 3855800M)\*
- 13: Xtra wall brackets, flexible placing (Tellimuse number 38733000)\*
- 14: Set for noise protection (Tellimuse number 37131000)\*
- 15: Accessory (Tellimuse number 39607000)\*
- 16: Extension for Rapid SL and Rapid SLX (Tellimuse number 38629001)\*

\* Lisatarvikud