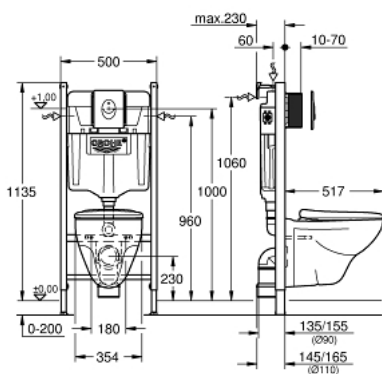


39 117 000 SOLIDO COMPACT SET 4 IN 1 WITH CERAMIC



TOOTE KIRJELDUS (1/2)

- Värvus: alpine white
- with flushing cistern GD 2
- 1.13 m installation height
- for on-the-wall installations or studded walls
- powder coated steel frame, self-supporting
- for dry-cladding, completely pre-assembled
- with fixed connections
- quick adjustment, lockable
- fixing material
- 2 WC fixing bolts
- fixing device for ceramic
- distance of fixing bolts 180/230 mm
- PP outlet bend Ø 90 mm
- depth adjustable
- reducer Ø 90/110 mm
- inlet and outlet connecting set
- flushing cistern GD 2
- class 1, full flush 6 l according to EN997
- flushes with 3 l for small flush
- adjustment ex factory 6 l and 3 l
- pneumatic discharge valve offering 2 modes of operation: dual flush or start/stop
- water supply from left/right or back
- low noise (group I acc. to German Noise Specification)
- insulated against condensation
- 1/2" water supply connection including integrated angle valve and push fit flexible hose union
- no tools required for the installation of the inspection shaft incl. protection during construction phase
- for vertical or horizontal use
- accessories for on-the-wall installation
- including wall plate Skate Air
- vertical and horizontal installation



Pure Freude
an Wasser

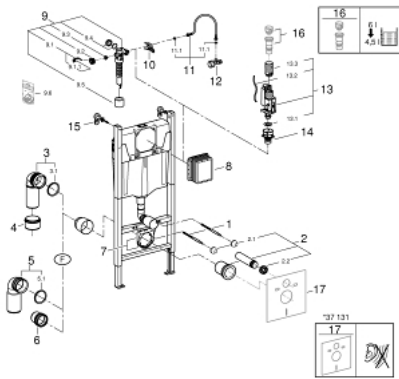


39 117 000 **SOLIDO COMPACT SET 4 IN 1 WITH CERAMIC**

TOOTE KIRJELDUS (2/2)

- 156 x 197 mm
- material: ABS
- white
- wash down WC, 3/6 l
- wall hung
- white
- CE approved
- WC seat and lid with soft close feature
- material: Duroplast

39 117 000 **SOLIDO COMPACT SET 4 IN 1 WITH CERAMIC**



VARUOSAD, märts 2014 – nüüd

- 1: Threaded bolt (Tellimuse number 4276400M)
- 2: WC inlet and outlet connecting set (Tellimuse number 37311K00)
- 2.1: Basin fastening (Tellimuse number 43511SH0)
- 2.2: Connector (Tellimuse number 37119000)
- 3: PP-outlet bend \varnothing 90 mm (Tellimuse number 42327000)
- 4: Reducer (Tellimuse number 42242000)
- 5: PVC waste bend (Tellimuse number 42216000)
- 5.1: Sealing washer (Tellimuse number 4207700M)
- 6: Distance pipe 3" (Tellimuse number 42766000)
- 7: Support for outlet bend (Tellimuse number 42243000)
- 8: Inspection shaft (Tellimuse number 66791000)
- 9: Filling valve (Tellimuse number 37095000)
- 9.1: Lever (Tellimuse number 43734000)
- 9.1.1: Seal (Tellimuse number 4377000M)
- 9.2: Valve head (Tellimuse number 43536000)
- 9.3: Membrane (Tellimuse number 4375800M)
- 9.4: Screw cap (Tellimuse number 43735000)
- 9.5: Valve float, 5 pcs. (Tellimuse number 4379100M)
- 9.6: Set of seals (Tellimuse number 43722000)*
- 10: Support device (Tellimuse number 42246000)
- 11: Tube (Tellimuse number 42233000)
- 11.1: Sealing washer (Tellimuse number 0319100M)
- 12: Angle valve (Tellimuse number 43821000)
- 13: Dual Flush discharge valve AV1 (Tellimuse number 42320000)
- 13.1: Extension for overflow pipe (Tellimuse number 42313000)
- 13.2: Pneumatic hose (Tellimuse number 42319000)
- 13.3: Seal (Tellimuse number 42310000)
- 14: Valve seat for GD2 (Tellimuse number 42315000)
- 15: Wall brackets (Tellimuse number 3855800M)
- 16: 4.5 l adapter for GD2 (Tellimuse number 42333000)*
- 17: Set for noise protection (Tellimuse number 37131000)*

* Lisatarvikud