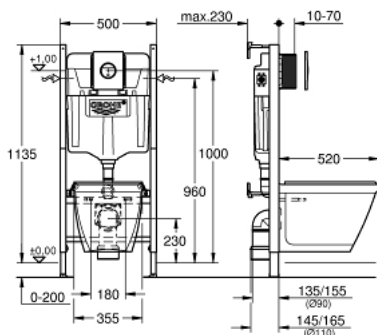


38 973 000 SOLIDO COMPACT SET 4 IN 1 WITH CERAMIC



TOOTE KIRJELDUS (1/2)

- Värvus: chrome
- with flushing cistern GD 2
- 1.13 m installation height
- for on-the-wall installations or studded walls
- powder coated steel frame, self-supporting
- for dry-cladding, completely pre-assembled
- with fixed connections
- quick adjustment, lockable
- fixing material
- TÜV approved
- 2 WC fixing bolts
- fixing device for ceramic
- distance of fixing bolts 180/230 mm
- outlet bend Ø 90 mm
- depth adjustable
- reducer Ø 90/110 mm
- inlet and outlet connecting set
- flushing cistern GD 2
- class 1, full flush 6 l according to EN997
- flushes with 3 l for small flush
- adjustment ex factory 6 l and 3 l
- pneumatic discharge valve offering 3 modes of operation: dual flush or start/stop or single flush
- water supply from left/right or back
- low noise (group I acc. to German Noise Specification)
- insulated against condensation
- angle valve 1/2"
- water inlet with pipe fixation
- no tools required for the installation of the inspection shaft incl. protection during construction phase
- for vertical or horizontal use
- accessories for on-the-wall installation
- installation on site



Pure Freude
an Wasser

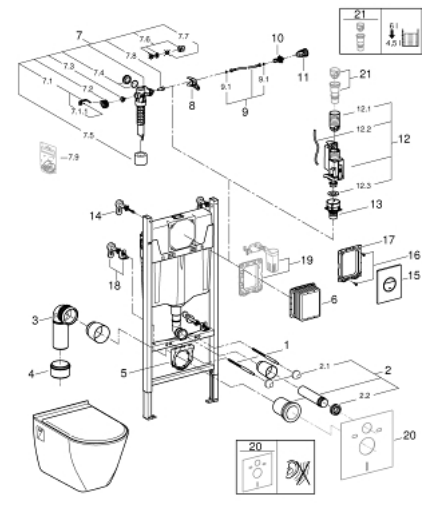


38 973 000 **SOLIDO COMPACT SET 4 IN 1 WITH CERAMIC**

TOOTE KIRJELDUS (2/2)

- including wall plate Nova Cosmopolitan
- vertical and horizontal installation
- 156 x 197 mm
- material: ABS
- chrome
- wall mounted WC, white, WC seat with SoftClose
- including adapter 38 338 000

38 973 000 SOLIDO COMPACT SET 4 IN 1 WITH CERAMIC



VARUOSAD, märts 2016 – nüüd

- 1: Threaded bolt (Tellimuse number 4276400M)
- 2: WC inlet and outlet connecting set (Tellimuse number 37311K00)
- 2.1: Basin fastening (Tellimuse number 43511SH0)
- 2.2: Connector (Tellimuse number 37119000)
- 3: PP-outlet bend Ø 90 mm (Tellimuse number 42327000)
- 4: Reducer (Tellimuse number 42242000)
- 5: Support for outlet bend (Tellimuse number 42243000)
- 6: Inspection shaft (Tellimuse number 66791000)
- 7: Filling valve (Tellimuse number 37095000)
- 7.1: Lever (Tellimuse number 43734000)
- 7.1.1: Seal (Tellimuse number 4377000M)
- 7.2: Valve head (Tellimuse number 43536000)
- 7.3: Membrane (Tellimuse number 4375800M)
- 7.4: Screw cap (Tellimuse number 43735000)
- 7.5: Valve float, 5 pcs. (Tellimuse number 4379100M)
- 7.6: Set of seals (Tellimuse number 43722000)*
- 8: Support device (Tellimuse number 42246000)
- 9: Tube (Tellimuse number 42397000)
- 9.1: Sealing washer (Tellimuse number 0319100M)
- 10: Angle valve (Tellimuse number 42396000)
- 11: Connecting box (Tellimuse number 38338000)
- 12: Dual Flush discharge valve AV1 (Tellimuse number 42320000)
- 12.1: Extension for overflow pipe (Tellimuse number 42313000)
- 12.2: Pneumatic hose (Tellimuse number 42319000)
- 12.3: Seal (Tellimuse number 42310000)
- 13: Valve seat for GD2 (Tellimuse number 42315000)
- 14: Wall brackets (Tellimuse number 3855800M)
- 15: Top plate with push button (Tellimuse number 42375000)
- 16: Screw (Tellimuse number 6636200M)
- 17: Mounting frame (Tellimuse number 43207000)
- 18: Xtra wall brackets, flexible placing (Tellimuse number 38733000)
- 19: Retro-fit set (Tellimuse number 38796000)*
- 20: Set for noise protection (Tellimuse number 37131000)*
- 21: 4.5 l adapter for GD2 (Tellimuse number 42333000)*

* Lisatarvikud