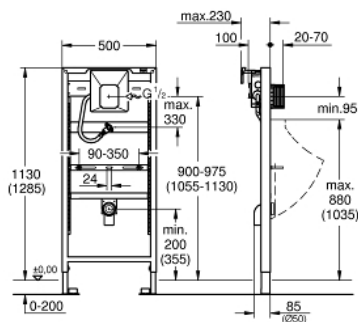


## 38 803 001 RAPID SL ELEMENT FOR URINAL WITH INFRA-RED ELECTRONIC



### TOOTE KIRJELDUS

- with GROHE Rapido U
- 1.13 and 1.30 m installation height
- for manual actuation or Tectroninfra-red electronic 6 V or 230 V
- for on-the-wall installations or studded walls
- powder coated steel frame, self-supporting
- for dry-cladding, completely pre-assembled
- height adjustable fitting connections
- quick adjustment, lockable
- fixing material
- TÜV approved
- HT-outlet bend  $\varnothing$  50 mm
- inlet connection and inlet connecting set
- fixing bolts M8, with fixing device for ceramic
- water group with stop valve
- flow pressure min 0.5 bar
- operating pressure max 10 bar
- flush aid
- functional unit checked ex factory
- water supply connections 1/2" outer thread
- connecting box for mains supply 230 V
- installation box with gasket
- shortable inspection shaft incl. protection during construction phase for flush plates with dimensions 116 x 144 mm
- including wall brackets 38 558 00M for on-the-wall installation



## 38 803 001 **RAPID SL ELEMENT FOR URINAL WITH INFRA-RED ELECTRONIC**

**VARUOSAD**, november 2015 – nüüd

- 1: Outlet elbow 2" (Tellimuse number 42943000)
- 1.1: Holder for outlet elbow (Tellimuse number 42236000)
- 2: Threaded bolt (Tellimuse number 43078000)
- 3: Fixation (Tellimuse number 4307500M)
- 4: Switching power supply (Tellimuse number 42470000)
- 5: Inspection shaft (Tellimuse number 66838000)
- 6: Supply stop (Tellimuse number 43392000)
- 7: Wall brackets (Tellimuse number 3855800M)

