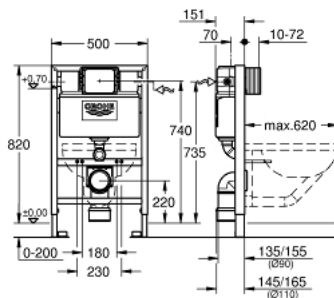


38 526 000 RAPID SL ELEMENT FOR WC, 0.82 M INSTALLATION HEIGHT

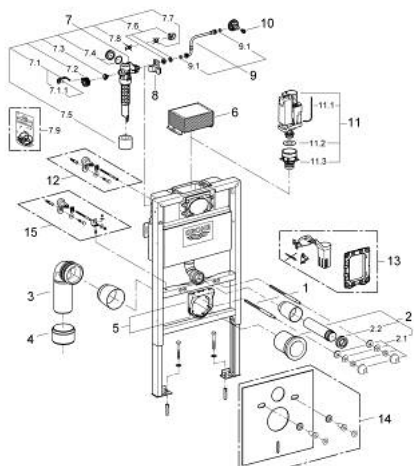


TOOTE KIRJELDUS

- with flushing cistern 6 - 9 l
- for on-the-wall installations or studded walls
- powder coated steel frame, self-supporting
- for dry-cladding, completely pre-assembled
- with fixed connections
- quick adjustment, lockable
- fixing material
- TÜV approved
- 2 WC fixing bolts
- fixing device for ceramic
- distance of fixing bolts 180/230 mm
- PP outlet bend Ø 90 mm
- depth adjustable
- reducer Ø 90/110 mm
- inlet and outlet connecting set
- flushing cistern 6 - 9 l containing the following features:
 - pneumatic discharge valve offering 3 modes of operation: dual flush or start/stop or single flush
 - front or top actuation
 - water supply from left/right or back
 - low noise (group I acc. to German Noise Specification)
 - insulated against condensation
- 1/2" water supply connection including integrated angle valve and push fit flexible hose union
- shortable inspection shaft incl. protection during construction phase
- for on-the-wall installation please order wall brackets 38 558 00M (sold separately)
- for mounting of small flush plates please order revision shaft 40 950 000 (sold separately)



38 526 000 RAPID SL ELEMENT FOR WC, 0.82 M INSTALLATION HEIGHT



VARUOSAD, detsember 2012 – nüüd

- 1: Threaded bolt (Tellimuse number 4276400M)
- 2: WC inlet and outlet connecting set (Tellimuse number 37311K00)
- 2.1: Basin fastening (Tellimuse number 43511SH0)
- 2.2: Connector (Tellimuse number 37119000)
- 3: PP-outlet bend Ø 90 mm (Tellimuse number 42327000)
- 4: Reducer (Tellimuse number 42242000)
- 5: Support for outlet bend (Tellimuse number 42243000)
- 6: Inspection shaft for flushing cistern (Tellimuse number 42326000)
- 7: Filling valve (Tellimuse number 37095000)
- 7.1: Lever (Tellimuse number 43734000)
- 7.1.1: Seal (Tellimuse number 4377000M)
- 7.2: Valve head (Tellimuse number 43536000)
- 7.3: Membrane (Tellimuse number 4375800M)
- 7.4: Screw cap (Tellimuse number 43735000)
- 7.5: Valve float, 5 pcs. (Tellimuse number 4379100M)
- 7.6: Set of seals (Tellimuse number 43722000)*
- 8: Support device (Tellimuse number 42195000)
- 9: Overflow Sleeve (Tellimuse number 43325000)
- 9.1: Sealing washer (Tellimuse number 0319100M)
- 10: Headpart (Tellimuse number 42385000)
- 11: Discharge valve AV1 complete (Tellimuse number 42314000)
- 11.1: Pneumatic hose (Tellimuse number 42319000)
- 11.2: Seal (Tellimuse number 42310000)
- 11.3: Valve seat for GD2 (Tellimuse number 42315000)
- 12: Wall brackets (Tellimuse number 3855800M)*
- 13: Retro-fit set (Tellimuse number 38796000)*
- 14: Set for noise protection (Tellimuse number 37131000)*
- 15: Xtra wall brackets, flexible placing (Tellimuse number 38733000)*

* Lisatarvikud