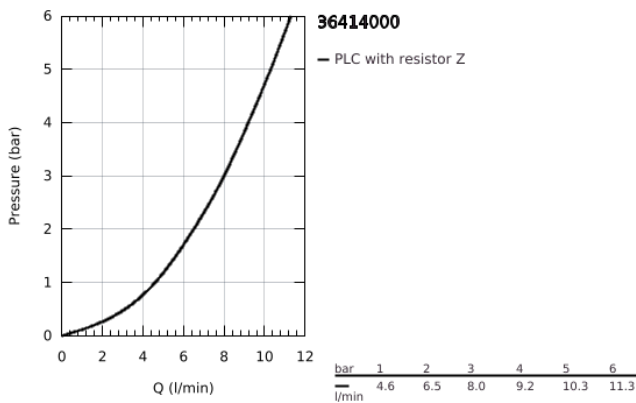
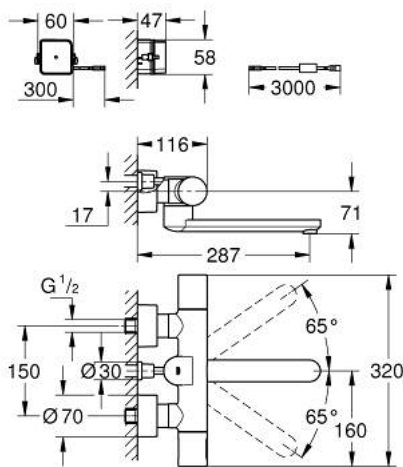


36 414 000 EUROSMART COSMOPOLITAN E BLUETOOTH INFRA-RED ELECTRONIC THERMOSTATIC BASIN MIXER, WALL MOUNTED



TOOTE KIRJELDUS (1/2)

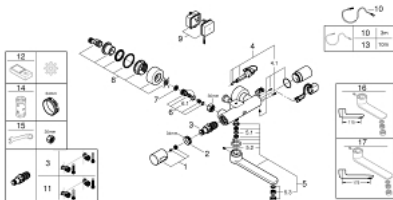
- Värvus: chrome
- with infrared sensor and Bluetooth module for bi-directional communication for monitoring, configuration and service purpose
- with transformer 100-240 V AC, 50-60 Hz, 6.75 V DC
- GROHE LongLife finish
- GROHE CoolTouch
- GROHE SafeStop - safety button at 38°C
- swivel cast spout 219 mm
- with swivel stop at 130° or fixed
- projection 287 mm
- laminar mousseur 9 l/min
- S-unions
- escutcheon covers for S unions
- non-return valve
- dirt strainers
- power connection cable 3.0 m
- for use with connection set
- 39 383 000
- with Bluetooth® 4.0* for wireless data communication
- for Apple** and Android devices
- Bluetooth range (max. 10 m) varies depending on used materials and walls between transmitter and receiver
- monitoring
- password protected products
- app detects all Bluetooth products in range
- auto flush cycles and timing last auto flush
- usage per day / 30 days
- thermal disinfection cycles and timings last disinfection
- configuration
- detection range and shut off delay
- auto flush
- thermal disinfection
- cleaning mode

36 414 000 EUROSMART COSMOPOLITAN E BLUETOOTH INFRA-RED ELECTRONIC THERMOSTATIC BASIN MIXER, WALL MOUNTED

TOOTE KIRJELDUS (2/2)

- 2 on/off timers
- identification by name
- service
- send and save 3 profiles
- reset to factory or user settings
- hard and software version
- CE approved
- acoustic group I in accordance with DIN 4109
- type of protection faucet IP 59K
- Mobile devices and GROHE IR Remote App*** are not included in delivery and have to be ordered separately via an authorised Apple store/store/iTunes or Google Play store.
- * The Bluetooth® word mark and logos are registered trademarks owned by Bluetooth SIG, Inc. and any use of such marks by Grohe AG is under license. Other trademarks and trade names are those of their respective owners.
- ** Apple, the Apple logo, iPod, iPod Touch, iPhone and iTunes are trademarks of Apple Inc., registered in the U.S. and other countries. Apple is not responsible for the function of this device or its compliance with safety and regulatory standards.
- *** Available for free via iTunes app or Google Play store.

36 414 000 EUROSMART COSMOPOLITAN E BLUETOOTH INFRA-RED ELECTRONIC THERMOSTATIC BASIN MIXER, WALL MOUNTED



VARUOSAD, november 2019 – nüüd

- 1: Temperature scale handle (Tellimuse number 47811000)
- 2: Fitting ring (Tellimuse number 47743000)
- 3: Thermostatic compact cartridge 1/2" (Tellimuse number 47439000)
- 4: Solenoid valve (Tellimuse number 42471000)
- 4.1: Set of screws (Tellimuse number 42422000)
- 5: Spout (Tellimuse number 42423000)
- 5.1: Sealing washer (Tellimuse number 0128500M)
- 5.2: Set of screws (Tellimuse number 46670000)
- 5.3: Laminar flow straightener (Tellimuse number 13960000)
- 6: Non-return valve (Tellimuse number 48277000)
- 6.1: O-ring $\varnothing 17 \times \varnothing 2$ (Tellimuse number 0305500M)
- 7: Dirt strainer (Tellimuse number 0726400M)
- 8: S-union (Tellimuse number 12693000)
- 9: Switching power supply (Tellimuse number 42470000)
- 10: Extension cable (Tellimuse number 36221000)
- 11: GROHE TurboStat cartridge 1/2" (Tellimuse number 47175000)*
- 12: Remote control (Tellimuse number 36407001)*
- 13: Extension cable (Tellimuse number 36222000)*
- 14: Socket spanner (Tellimuse number 19332000)*
- 15: Special spanner (Tellimuse number 19377000)*
- 16: Cast swivel spout (Tellimuse number 13378000)*
- 17: Cast swivel spout (Tellimuse number 13380000)*

* Lisatarvikud