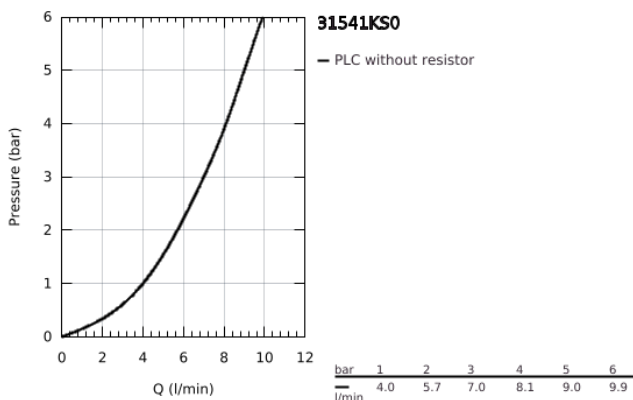
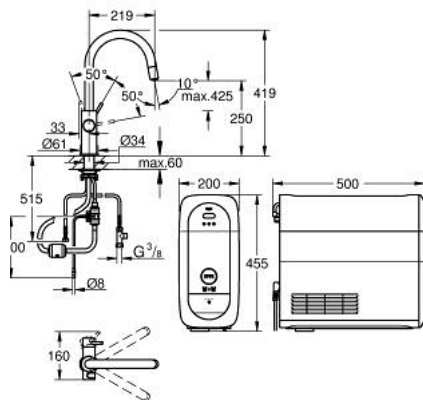


## 31 541 KS0 GROHE BLUE HOME C-SPOUT STARTER KIT WITH PULL-OUT SPOUT



### TOOTE KIRJELDUS (1/2)

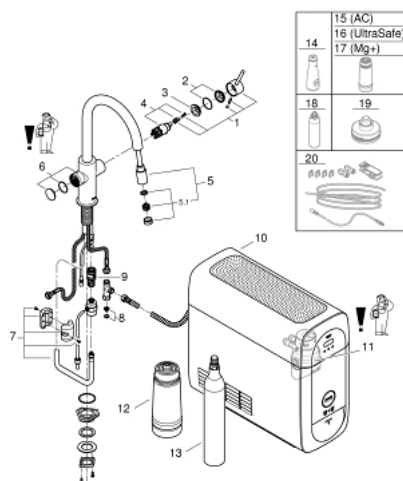
- Värvus: velvet black
- consisting of:
  - GROHE Blue Home single-lever sink mixer with filter function
  - single hole installation
  - C-spout
  - push buttons for 3 types of filtered and chilled table water
  - still, medium, sparkling
  - GROHE LongLife finish
  - GROHE SilkMove 28 mm ceramic cartridge
  - Pull-Out spout for greater flexibility
  - swivel tubular spout, swivel area 360°
  - separate inner water ways for filtered and non-filtered water
  - flexible connection hoses
  - GROHE Blue Home cooler
  - delivers 3 liters of chilled sparkling water per hour
  - 180 Watt cooling unit, 230 V, 50 Hz
  - sound level in standby 44 dB(A)
  - type of protection IP 21
  - CE approved
  - requires ventilation holes in the bottom of the kitchen cabinet
  - software set-up and monitoring of filter and CO<sub>2</sub> capacity possible via GROHE Watersystems app
  - push notifications at low filter resp. CO<sub>2</sub> capacity
  - with Bluetooth\* and Wi-Fi interface for wireless data communication
  - for Apple\*\* and Android devices
  - Bluetooth range (max. 10 m) varies depending on used materials and walls between transmitter and receiver
  - GROHE Blue filter S-Size and filter head with flexible water hardness adjustment for regions with water hardness of more than 9° dKH
  - for regions with water hardness below 9° dKH please order activated carbon filter 40 547 001

## 31 541 KS0 GROHE BLUE HOME C-SPOUT STARTER KIT WITH PULL-OUT SPOUT

### TOOTE KIRJELDUS (2/2)

- compatible with GROHE Blue filter S-Size, M-Size, GROHE Blue activated carbon filter, GROHE Blue Ultrasafe filter and GROHE Blue Magnesium + Zinc filter
- GROHE Blue 425 g CO<sub>2</sub> bottle
- System requirements Apple iPhone with iOS 14.0 or higher System requirements Android smart phone with Android 10.0 or higher Mobile devices and GROHE Watersystems App\*\*\* are not included in delivery and have to be ordered separately via an authorised Apple store/store/iTunes or Google Play store.\* The Bluetooth word mark and logos are registered trademarks owned by Bluetooth SIG, Inc. and any use of such marks by Grohe AG is under license. Other trademarks and trade names are those of their respective owners.\*\* Apple, the Apple logo, iPod, iPod Touch, iPhone and iTunes are trademarks of Apple Inc., registered in the U.S. and other countries. Apple is not responsible for the function of this device or its compliance with safety and regulatory standards.\*\*\* Available for free via iTunes app or Google Play store.
- This product includes an article which is declared as a hazardous substance. Find more information in the safety data sheet. You can download the safety data at: <https://safety-data-sheets.grohe.com>.
- kitchen edition
- Connected product pursuant to regulation (EU) 2023/2854. Pre contractual information at <https://eu-data-act.grohe.com/>

## 31 541 KS0 GROHE BLUE HOME C-SPOUT STARTER KIT WITH PULL-OUT SPOUT



VARUOSAD, juuni 2020 – nüüd

- 1: Lever (Tellimuse number 46957KS0)
- 2: Cap (Tellimuse number 46581KS0)
- 3: Fitting ring (Tellimuse number 07419000)
- 4: Cartridge (Tellimuse number 46580000)
- 5: Pull-Out spray (Tellimuse number 48427KS0)
- 5.1: Mousseur (Tellimuse number 48379KS0)
- 6: Operating unit (Tellimuse number 46958KS0)
- 7: Hose for pull-out shower (Tellimuse number 48378000)
- 8: Dirt strainer (Tellimuse number 47576000)
- 9: Quick coupling (Tellimuse number 46315000)
- 10: Cooler (Tellimuse number 40711001)
- 11: Filter head (Tellimuse number 48344000)
- 12: Filter S-Size (Tellimuse number 40404001)
- 13: Starter kit 425 g CO<sub>2</sub> bottles (4 pieces) (Tellimuse number 40422000)
- 14: Glass carafe (Tellimuse number 40405000)\*
- 15: Activated carbon filter (Tellimuse number 40547001)\*
- 16: UltraSafe filter (Tellimuse number 40575001)\*
- 17: Magnesium+ filter (Tellimuse number 40691001)\*
- 18: Cleaning cartridge (Tellimuse number 40434001)\*
- 19: Cleaning cartridge adapter (Tellimuse number 40694000)\*
- 20: Extension set (Tellimuse number 40843000)\*

\* Lisatarvikud