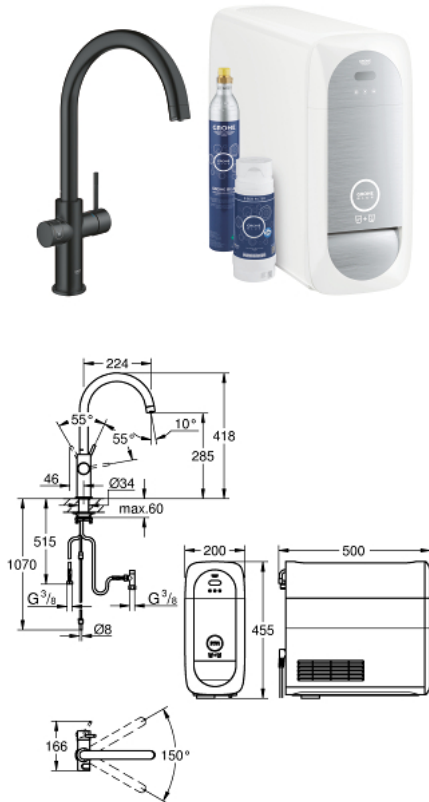


31 455 KS1 GROHE BLUE HOME C-SPOUT STARTER KIT



TOOTE KIRJELDUS (1/2)

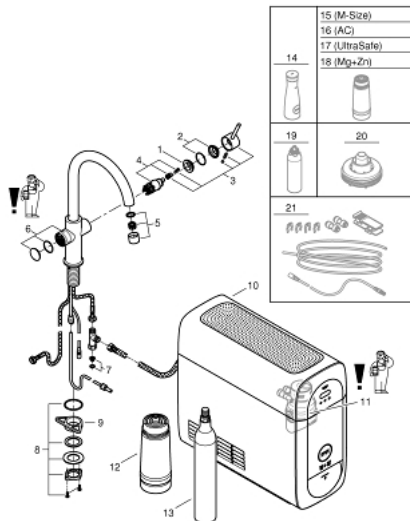
- Värvus: velvet black
- consisting of:
 - GROHE Blue Home single-lever sink mixer with filter function
 - single hole installation
 - C-spout
 - push buttons for 3 types of filtered and chilled table water
 - still, medium, sparkling
 - GROHE LongLife finish
 - GROHE SilkMove 28 mm ceramic cartridge
 - swivel tubular spout, swivel area 150°
 - separate inner water ways for filtered and non-filtered water
 - flexible connection hoses
 - GROHE Blue Home cooler
 - delivers 3 liters of chilled sparkling water per hour
 - 180 Watt cooling unit, 230 V, 50 Hz
 - sound level in standby 44 dB(A)
 - type of protection IP 21
 - CE approved
 - requires ventilation holes in the bottom of the kitchen cabinet
 - software set-up and monitoring of filter and CO₂ capacity possible via GROHE Watersystems app
 - push notifications at low filter resp. CO₂ capacity
 - with Bluetooth* and Wi-Fi interface for wireless data communication
 - for Apple** and Android devices
 - Bluetooth range (max. 10 m) varies depending on used materials and walls between transmitter and receiver
 - GROHE Blue filter S-Size and filter head with flexible water hardness adjustment for regions with water hardness of more than 9° dKH
 - for regions with water hardness below 9° dKH please order activated carbon filter 40 547 001
 - compatible with GROHE Blue filter S-Size, M-Size, GROHE Blue activated carbon filter, GROHE Blue Ultrasafe filter and GROHE Blue Magnesium + Zinc filter

31 455 KS1 GROHE BLUE HOME C-SPOUT STARTER KIT

TOOTE KIRJELDUS (2/2)

- GROHE Blue 425 g CO₂ bottle
- System requirements Apple iPhone with iOS 14.0 or higher System requirements Android smart phone with Android 10.0 or higher Mobile devices and GROHE Watersystems App*** are not included in delivery and have to be ordered separately via an authorised Apple store/store/iTunes or Google Play store.* The Bluetooth word mark and logos are registered trademarks owned by Bluetooth SIG, Inc. and any use of such marks by Grohe AG is under license. Other trademarks and trade names are those of their respective owners.** Apple, the Apple logo, iPod, iPod Touch, iPhone and iTunes are trademarks of Apple Inc., registered in the U.S. and other countries. Apple is not responsible for the function of this device or its compliance with safety and regulatory standards.*** Available for free via iTunes app or Google Play store.
- This product includes an article which is declared as a hazardous substance. Find more information in the safety data sheet. You can download the safety data at: <https://safety-data-sheets.grohe.com>.
- kitchen edition
- Connected product pursuant to regulation (EU) 2023/2854. Pre contractual information at <https://eu-data-act.grohe.com/>

31 455 KS1 GROHE BLUE HOME C-SPOUT STARTER KIT



VARUOSAD, juuni 2020 – nüüd

- 1: Fitting ring (Tellimuse number 07419000)
- 2: Cap (Tellimuse number 46581KS0)
- 3: Lever (Tellimuse number 46957KS0)
- 4: Cartridge (Tellimuse number 46580000)
- 5: Flow control (Tellimuse number 48343KS0)
- 6: Operating unit (Tellimuse number 46958KS0)
- 7: Dirt strainer (Tellimuse number 47576000)
- 8: Shank fastening assembly (Tellimuse number 48384000)
- 9: Support plate (Tellimuse number 05334000)
- 10: Cooler (Tellimuse number 40711001)
- 11: Filter head (Tellimuse number 48344000)
- 12: Filter S-Size (Tellimuse number 40404001)
- 13: Starter kit 425 g CO₂ bottles (4 pieces) (Tellimuse number 40422000)
- 14: Glass carafe (Tellimuse number 40405000)*
- 15: Filter M-Size (Tellimuse number 40430001)*
- 16: Activated carbon filter (Tellimuse number 40547001)*
- 17: UltraSafe filter (Tellimuse number 40575001)*
- 18: Magnesium+ filter (Tellimuse number 40691001)*
- 19: Cleaning cartridge (Tellimuse number 40434001)*
- 20: Cleaning cartridge adapter (Tellimuse number 40694000)*
- 21: Extension set (Tellimuse number 40843000)*

* Lisatarvikud