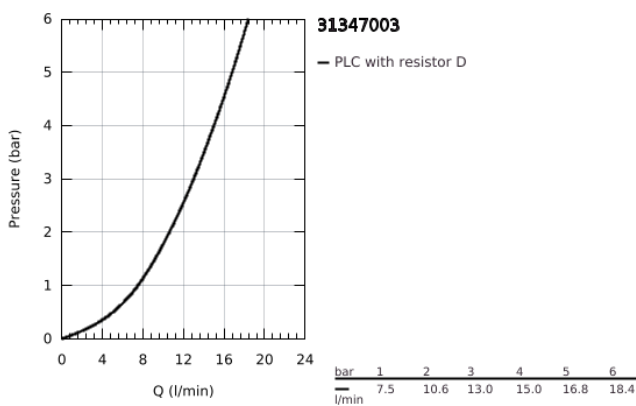
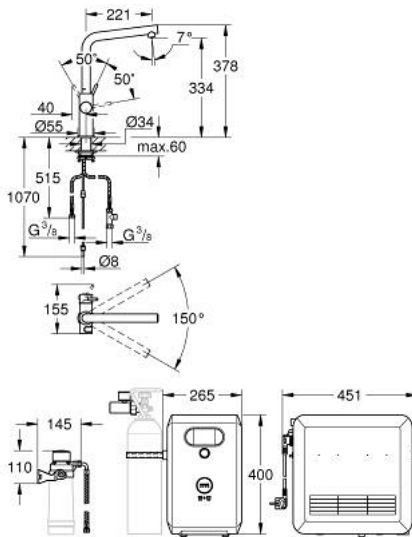


31 347 003 GROHE BLUE PROFESSIONAL L-SPOUT KIT



TOOTE KIRJELDUS (1/2)

- Värvus: chrome
- consisting of:
 - GROHE Blue single-lever sink mixer with filter function
 - single hole installation
 - L-spout
 - push buttons for 3 types of filtered and chilled table water
 - still, medium, sparkling
 - GROHE LongLife finish
 - GROHE SilkMove 28 mm ceramic cartridge
 - swivel tubular spout, swivel area 150°
 - separate inner water ways for filtered and non-filtered water
 - flexible connection hoses
 - GROHE Blue Professional cooler
 - delivers 12 liters of chilled sparkling water per hour
 - colour display with push and turn control
 - 270 Watt cooling unit, 230 V, 50 Hz
 - sound level in standby 46 dB(A)
 - type of protection IP 21
 - CE approved
 - requires ventilation holes in the bottom of the kitchen cabinet
 - software set-up and monitoring of filter and CO₂ capacity possible via GROHE Watersystems app
 - push notifications at low filter resp. CO₂ capacity
 - with Bluetooth* and Wi-Fi interface for wireless data communication
 - for Apple** and Android devices
 - Bluetooth range (max. 10 m) varies depending on used materials and walls between transmitter and receiver
 - cleaning cartridge adapter, for use with GROHE Blue cleaning cartridge 40 434 001
 - CO₂ pressure indicator
 - filter head with flexible water hardness adjustment
 - GROHE Blue filter, CO₂ bottle and cleaning cartridge are not included in the delivery and have to be ordered separately

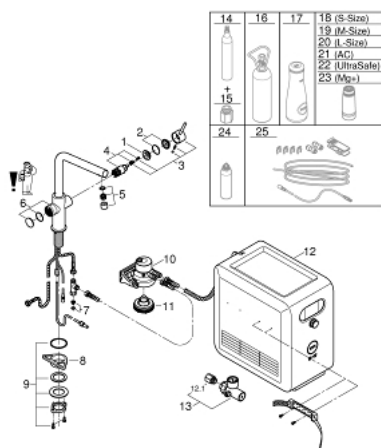
31 347 003 GROHE BLUE PROFESSIONAL L-SPOUT KIT

TOOTE KIRJELDUS (2/2)

- suitable filters:- filter S-size, capacity 600 l at 20° dKH (40 404 001)- filter M-size, capacity 1500 l at 20° dKH (40 430 001)- filter L-size, capacity 2500 l at 20° dKH (40 412 001)- activated carbon filter, capacity 3000 l (40 547 001)- Ultrasafe filter, capacity 3000 l (40 575 002)- Magnesium + Zinc filter, capacity 400 l at 17° dGH (40 691 002)
- System requirements Apple iPhone with iOS 14.0 or higher System requirements Android smart phone with Android 10.0 or higher Mobile devices and GROHE Watersystems App*** are not included in delivery and have to be ordered separately via an authorised Apple store/store/iTunes or Google Play store.* The Bluetooth word mark and logos are registered trademarks owned by Bluetooth SIG, Inc. and any use of such marks by Grohe AG is under license. Other trademarks and trade names are those of their respective owners.** Apple, the Apple logo, iPod, iPod Touch, iPhone and iTunes are trademarks of Apple Inc., registered in the U.S. and other countries. Apple is not responsible for the function of this device or its compliance with safety and regulatory standards.*** Available for free via iTunes app or Google Play store.
- Connected product pursuant to regulation (EU) 2023/2854. Pre contractual information at <https://eu-data-act.grohe.com/>

31 347 003 GROHE BLUE PROFESSIONAL L-SPOUT KIT

VARUOSAD, märts 2017 – nüüd



- 1: Fitting ring (Tellimuse number 07419000)
- 2: Cap (Tellimuse number 46581000)
- 3: Lever (Tellimuse number 46957000)
- 4: Cartridge (Tellimuse number 46580000)
- 5: Mousseur (Tellimuse number 48194000)
- 6: Operating unit (Tellimuse number 46958000)
- 7: Dirt strainer (Tellimuse number 47576000)
- 8: Support plate (Tellimuse number 05334000)
- 9: Shank fastening assembly (Tellimuse number 48384000)
- 10: Filter head (Tellimuse number 64508001)
- 11: Chiller and carbonizer (Tellimuse number 40554001)
- 12: Pressure indicator (Tellimuse number 46717000)
- 12.1: CO₂ adapter (Tellimuse number 40962000)
- 13: Starter kit 425 g CO₂ bottles (4 pieces) (Tellimuse number 40422000)*
- 14: CO₂ adapter (Tellimuse number 40962000)*
- 15: Starter kit 2 kg CO₂ bottle (Tellimuse number 40423000)*
- 16: Glass carafe (Tellimuse number 40405000)*
- 17: Filter S-Size (Tellimuse number 40404001)*
- 18: Filter M-Size (Tellimuse number 40430001)*
- 19: Filter L-Size (Tellimuse number 40412001)*
- 20: Activated carbon filter (Tellimuse number 40547001)*
- 21: UltraSafe filter (Tellimuse number 40575001)*
- 22: Magnesium+ filter (Tellimuse number 40691001)*
- 23: Cleaning cartridge (Tellimuse number 40434001)*
- 24: Cleaning cartridge adapter (Tellimuse number 40694000)*
- 25: Extension set (Tellimuse number 40843000)*

* Lisatarvikud