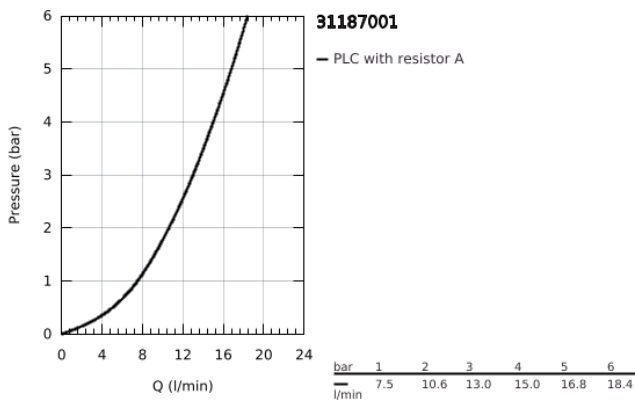
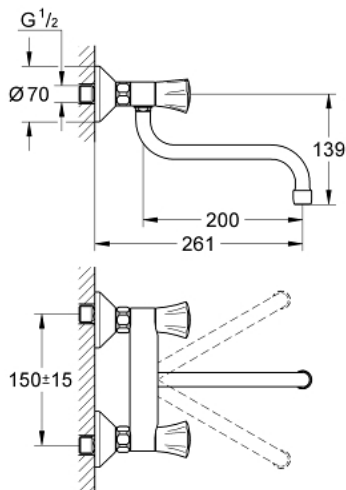


31 187 001 **COSTA L WALL SINK MIXER, 1/2"**

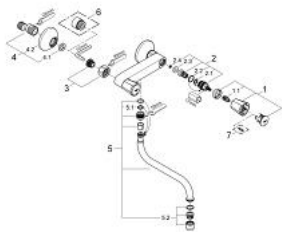


TOOTE KIRJELDUS

- Värvus: chrome
- metal handles
- heat-insulated
- GROHE LongLife finish
- GROHE Long-Life headparts
- mousseur
- swivel tubular spout, swivel area 360°
- projection 200 mm
- S-unions
- maximum flow rate (at 3 bar): 13 l/min



31 187 001 COSTA L WALL SINK MIXER, 1/2"



VARUOSAD, juuni 2007 – nüüd

- 1: Handle (Tellimuse number 45994000)
- 1.1: Snap insert (Tellimuse number 0538600M)
- 2: Headpart 1/2" (Tellimuse number 07146000)
- 2.1: Sealing washer $\varnothing 6 \times \varnothing 2$ (Tellimuse number 0128300M)
- 2.2: O-ring $\varnothing 18.2 \times \varnothing 1.7$ (Tellimuse number 0392400M)
- 2.3: Seal (Tellimuse number 0529100M)
- 3: Screw connection 1/2" (Tellimuse number 45044000)
- 4: S-union (Tellimuse number 12075000)
- 4.1: Seal (Tellimuse number 0138600M)
- 4.2: Escutcheon (Tellimuse number 0221000M)
- 5: Tubular spout (Tellimuse number 13051000)
- 5.1: O-ring $\varnothing 12 \times \varnothing 2$ (Tellimuse number 0128000M)
- 5.2: Mousseur (Tellimuse number 13928000)
- 6: Extension 3/4", 20 mm (Tellimuse number 0713000M)*
- 7: Screw for Costa/Avina products (Tellimuse number 48013000)*

* Lisatarvikud